

TOA SUBWOOFER WALL MOUNTING BRACKET HY-WM-FB08B

DESCRIPTION

The HY-WM-FB08B is a wall mounting bracket designed for FB-08BT subwoofer system.

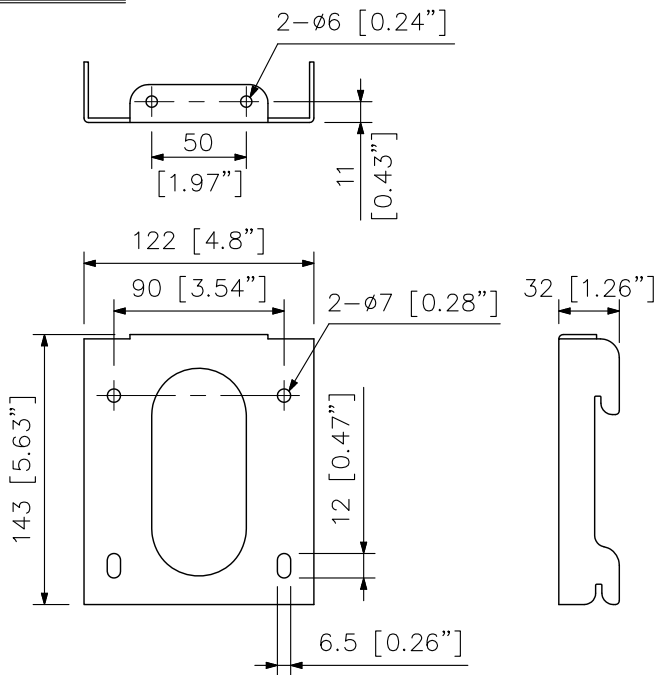
SPECIFICATIONS

Applicable Speaker	FB-08BT
Finish	Steel plate, black (RAL 9011 equivalent), paint
Weight	850 g (1.87 lb)
Product Composition	Speaker bracket ×1, Wall bracket ×1
Accessory	Speaker mounting bolt ×2, Speaker bracket mounting bolt ×4

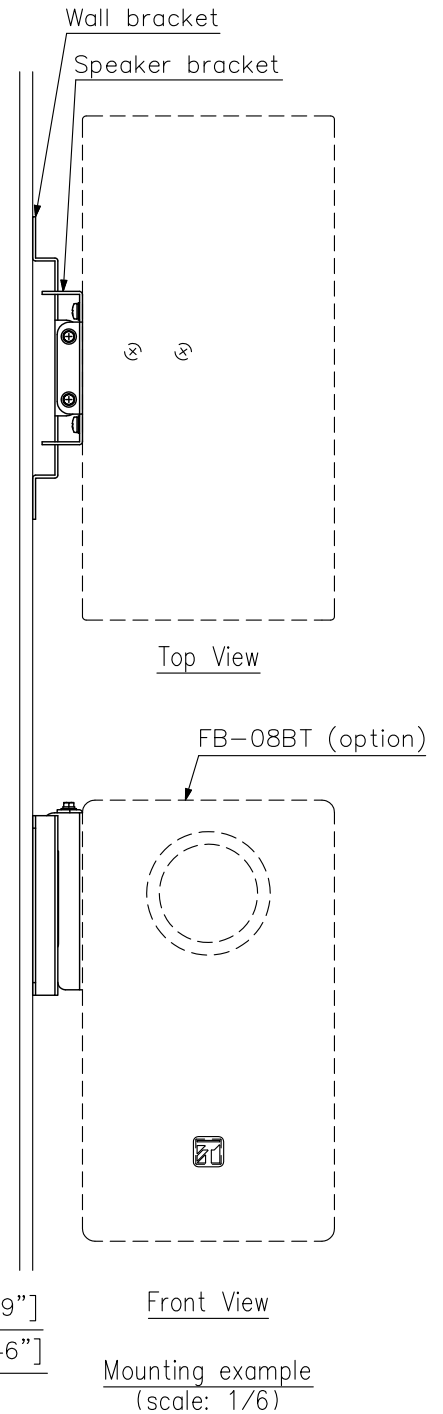
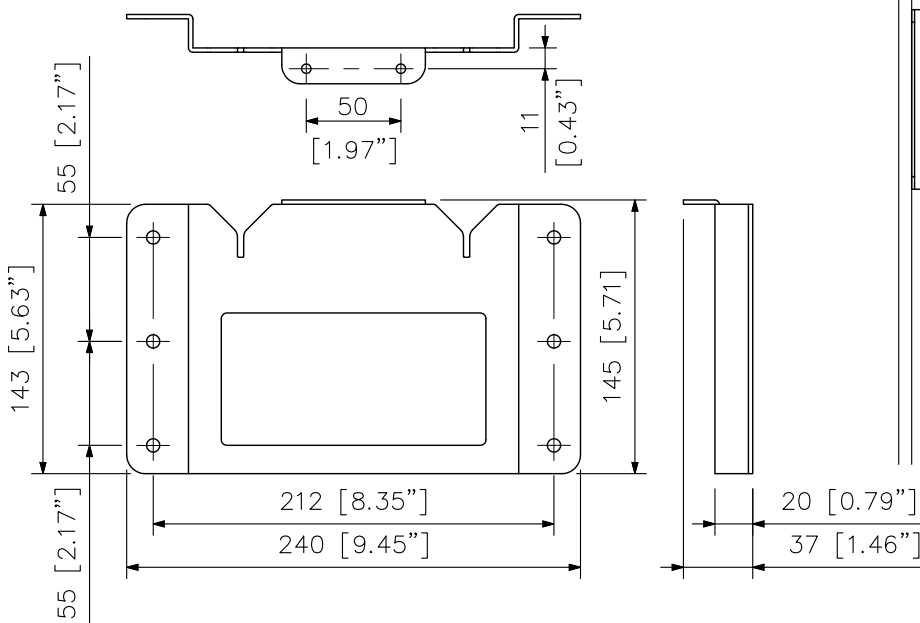
Note: Bolts and nuts for mounting the bracket to the wall are not included. Prepare them separately.

APPEARANCE

Speaker bracket



Wall bracket



UNIT:mm SCALE:1/4

TOA SUBWOOFER WALL MOUNTING BRACKET HY-WM-FB08W

DESCRIPTION

The HY-WM-FB08W is a wall mounting bracket designed for FB-08WT subwoofer system.

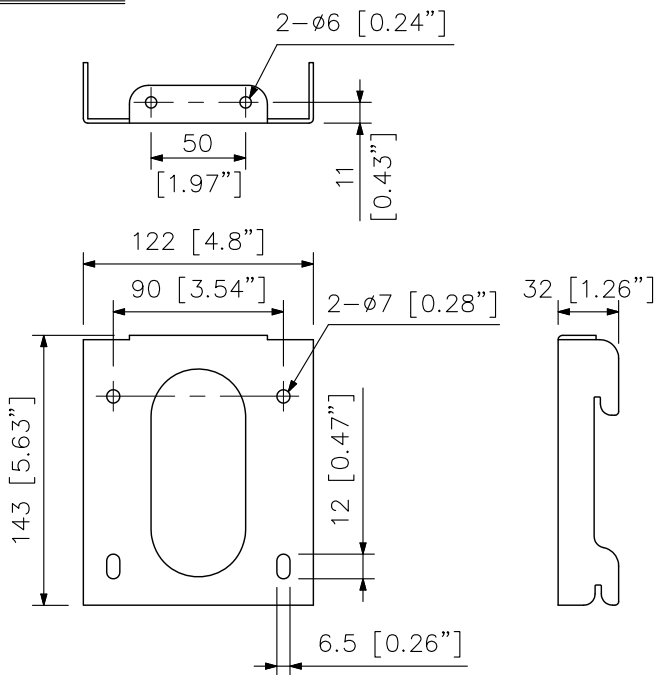
SPECIFICATIONS

Applicable Speaker	FB-08WT
Finish	Steel plate, white (RAL 9016 equivalent), paint
Weight	850 g (1.87 lb)
Product Composition	Speaker bracket ×1, Wall bracket ×1
Accessory	Speaker mounting bolt ×2, Speaker bracket mounting bolt ×4

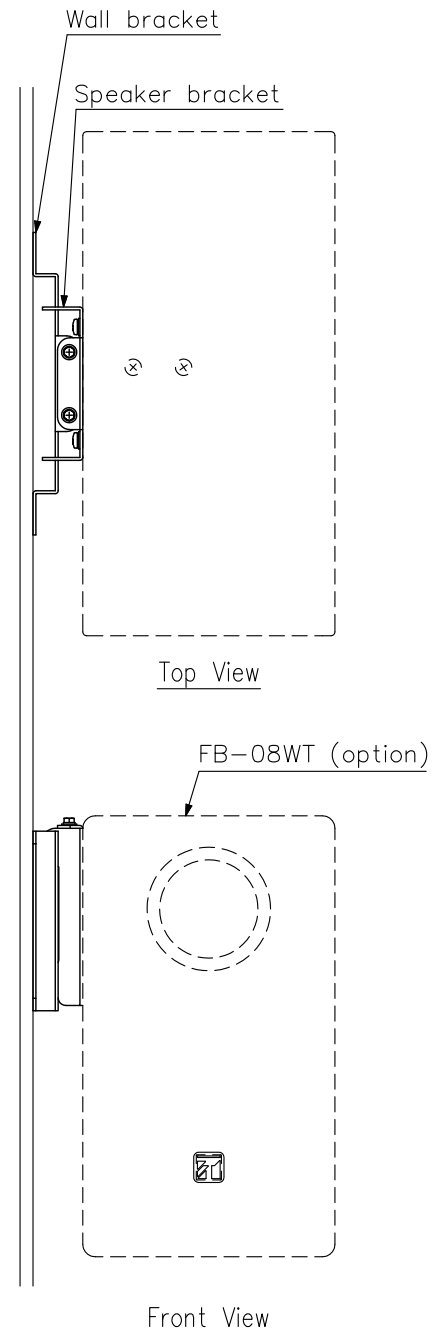
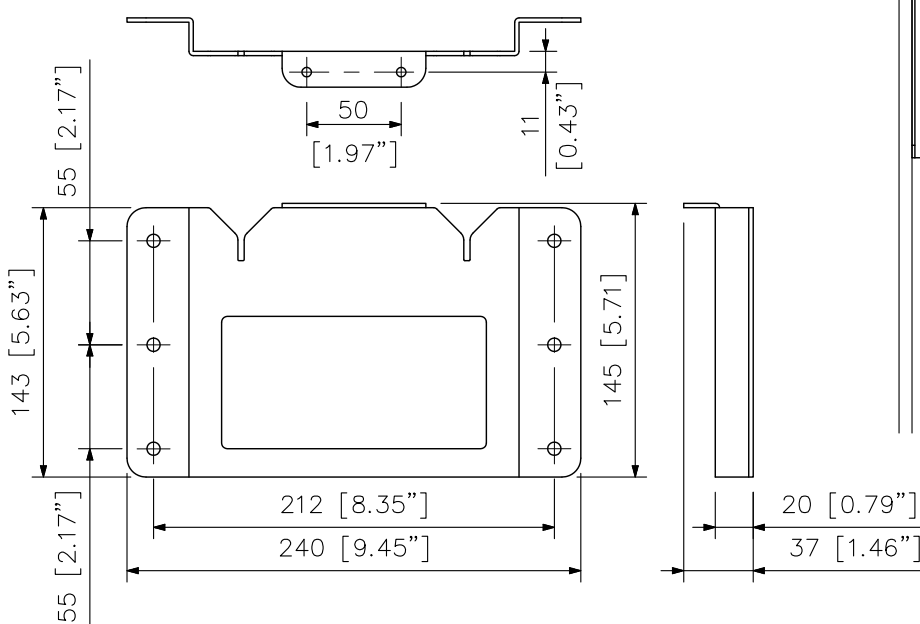
Note: Bolts and nuts for mounting the bracket to the wall are not included. Prepare them separately.

APPEARANCE

Speaker bracket



Wall bracket



Mounting example
(scale: 1/6)

UNIT:mm SCALE:1/4