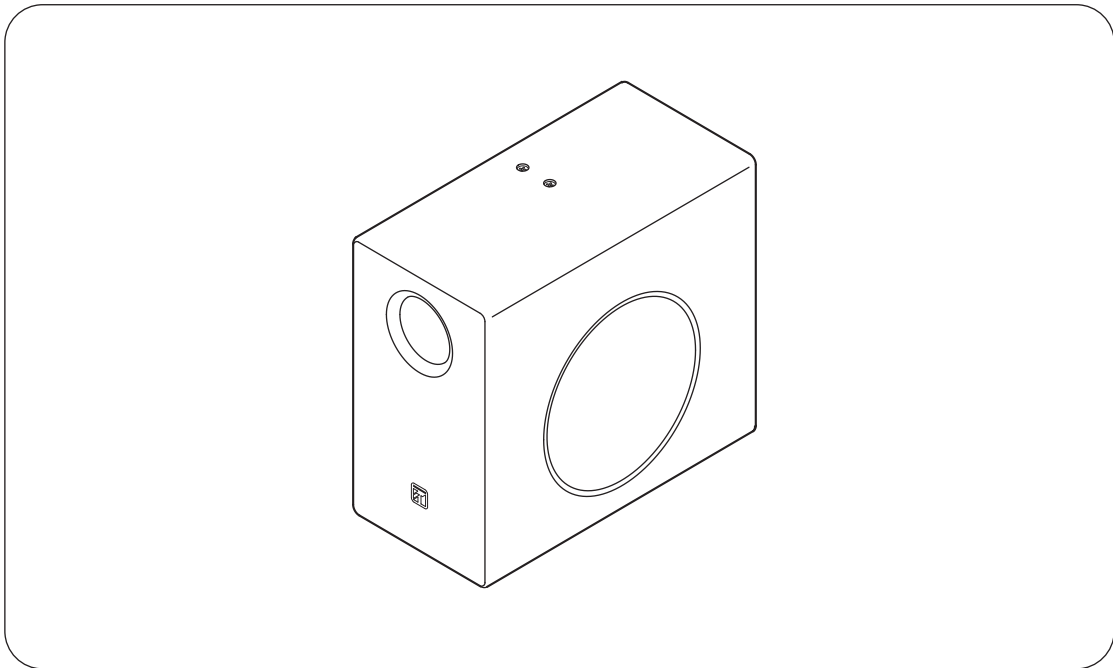


**SUBWOOFER SYSTEM****FB-08BT  
FB-08WT**

Thank you for purchasing TOA's Subwoofer System.

Please carefully follow the instructions in this manual to ensure long, trouble-free use of your equipment.

**TABLE OF CONTENTS**

<b>1. SAFETY PRECAUTIONS</b> .....	2	<b>4. CONNECTION</b> .....	4
<b>2. GENERAL DESCRIPTIONS AND FEATURES</b> .....	3	<b>5. INSTALLATION</b> .....	6
<b>3. HANDLING PRECAUTION</b> .....	3	<b>6. DIMENSIONAL DIAGRAM</b> .....	7
		<b>7. SPECIFICATIONS</b> .....	7

## 1. SAFETY PRECAUTIONS

- Before installation or use, be sure to carefully read all the instructions in this section for correct and safe operation.
- Be sure to follow all the precautionary instructions in this section, which contain important warnings and/or cautions regarding safety.
- After reading, keep this manual handy for future reference.

### Safety Symbol and Message Conventions

Safety symbols and messages described below are used in this manual to prevent bodily injury and property damage which could result from mishandling. Before operating your product, read this manual first and understand the safety symbols and messages so you are thoroughly aware of the potential safety hazards.



Indicates a potentially hazardous situation which, if mishandled, could result in death or serious personal injury.



Indicates a potentially hazardous situation which, if mishandled, could result in moderate or minor personal injury, and/or property damage.

### **WARNING**

- Avoid installing or mounting the speaker in unstable locations, such as on a rickety table or a slanted surface. Doing so may result in the speaker falling down and causing personal injury and/or property damage.
- Install the speaker only in a location that can structurally support the weight of the speaker and the mounting bracket. Doing otherwise may result in the speaker falling down and causing personal injury and/or property damage.
- Since the speaker is designed for indoor use, do not install it outdoors. If installed outdoors, the aging of parts causes the speaker to fall off, resulting in personal injury. Also, when it gets wet with rain, there is a danger of electric shock.
- Owing to the speaker's size and weight, be sure that at least two persons are available to install the speaker. Failure to do so could result in personal injury.
- Do not use other methods than specified to mount the bracket. Extreme force is applied to the speaker and the speaker could fall off, possibly resulting in personal injuries.
- Use nuts and bolts that are appropriate for the ceiling's or wall's structure and composition. Failure to do so may cause the speaker to fall, resulting in material damage and possible personal injury.
- Tighten each nut and bolt securely. Ensure that the bracket has no loose joints after installation to prevent accidents that could result in personal injury.
- Use the specified mounting bracket in combination. Doing otherwise may cause the speaker or component to fall off, resulting in personal injury.
- Do not mount the speaker in locations exposed to constant vibration. The mounting bracket can be damaged by excessive vibration, potentially causing the speaker to fall, which could result in personal injury.
- Do not install the speaker near the seashore or in locations where corrosive gas is generated, such as swimming pool facilities. If installed in such environments, its mounting bracket may rust or corrode. This could cause the speaker to fall, potentially resulting in personal injury.

### **CAUTION**

- Install the speaker only in stable locations, and make appropriate arrangements to prevent it from falling down or rolling across the floor. If it falls down or moves, this may cause personal injury and/or property damage.
- When unpacking or moving the speaker, be sure to handle it with two or more persons. Falling or dropping the speaker may cause personal injury and/or property damage.
- Avoid placing the speaker in a doorway or other high traffic area as people may trip on the equipment and cords, or be injured by falling objects.
- Avoid touching the speaker's sharp metal edge to prevent injury.
- To avoid electric shocks, be sure to switch off the amplifier's power when connecting speakers.

- Do not place heavy objects on the speaker as this may cause it to fall or break which may result in personal injury and/or property damage. In addition, the object itself may fall off and cause injury and/or damage.
- Do not operate the speaker for an extended period of time with the sound distorting. Doing so may cause the connected speakers to heat, resulting in a fire.
- Do not stand or sit on, nor hang down from the speaker as this may cause it to fall down or drop, resulting in personal injury and/or property damage.
- Have the speaker checked periodically by the shop from where it was purchased. Failure to do so may result in corrosion or damage to the speaker or its mounting bracket that could cause the speaker to fall, possibly causing personal injury.

## 2. GENERAL DESCRIPTIONS AND FEATURES

- A compact indoor subwoofer system with a 20 cm (8") woofer.
- Employing a built-in crossover network, dynamic bass can be achieved using in conjunction with the optional speaker systems listed below even without using a processor.

[Speaker systems]

F-03BT, F-03WT, F-05BT, F-05WT, F-03BT-WP-UE\*, F-03WT-WP-UE\*, F-05BT-WP-UE\*, F-05BT-WP-UE\*

- \* Though designed for use under the eaves, be sure to use these models only indoors when in conjunction with this Subwoofer system.
- Supports both high impedance application and low impedance application.
- Wall or ceiling installation possible by using with an optional mounting bracket.

## 3. HANDLING PRECAUTION

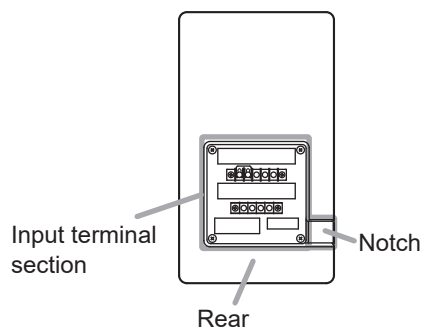
Only install the Subwoofer system in locations with an ambient operating temperature range of  $-10$  to  $+50$  °C (14 to 122 °F). Failure to follow this instruction could result in speaker malfunction or failure.

## 4. CONNECTION

This Subwoofer system supports both high impedance application and low impedance application.

After setting the impedance on the Subwoofer system's rear-mounted input terminal section as shown below, make the connection to the amplifier.

Also, pull out the cables from the notch.



### 4.1. When using high impedance connection

To maximize the performance of this speaker and achieve optimal sound quality, please use the following recommended amplifiers.

Recommended amplifiers (option)	DA-250DH CE301, DA-250DH CE-GB, DA-250DH CE-AU, DA-250DH CU
	DA-250FH CE301, DA-250FH CE-GB, DA-250FH CE-AU, DA-250FH CU, DA-250FH KR, DA-250FH TW
	DA-500FH CE301, DA-500FH CE-GB, DA-500FH CE-AU, DA-500FH KR
	A-5012 1CE, A-5012 4CE

#### Note

If amplifiers other than the recommended ones are used, the following issues may occur.

- Decreased sound quality:  
The speaker's performance may not be fully realized, leading to degraded sound quality.
- Sound interruptions and volume fluctuations:  
The amplifier's protection function may activate, causing sound interruptions or unstable volume levels.

To maintain the longevity and performance of both the speaker and the amplifier, we strongly recommend using the suggested amplifiers.

Please use the recommended amplifiers correctly according to the instruction manuals supplied with the amplifiers.

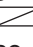
**Step 1.** Insert the short piece to the position as shown in the figure.

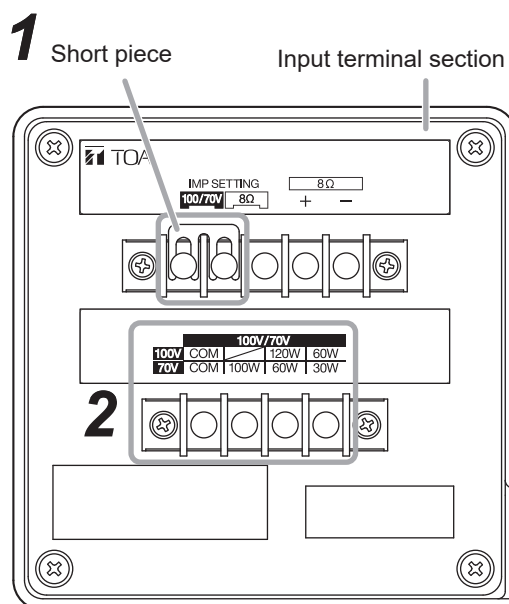
#### Tip

The figure shows the factory-set position of the short piece.

**Step 2.** According to the input power to use, connect the cables from the amplifier to the COM terminal and the corresponding input terminal.

#### Notes

- When using the speaker with high impedance 100 V line, never connect it to the  (Not allowed) terminal. As doing so may cause damage to the speaker.
- Depending on the relative installation position of this Subwoofer speaker to the speaker system (p. 3), the bass may be attenuated. In such cases, try to reverse the speaker cable connections between the COM and power output terminals, and check the output sound from the speakers. Then, use the connection that produces the louder bass.



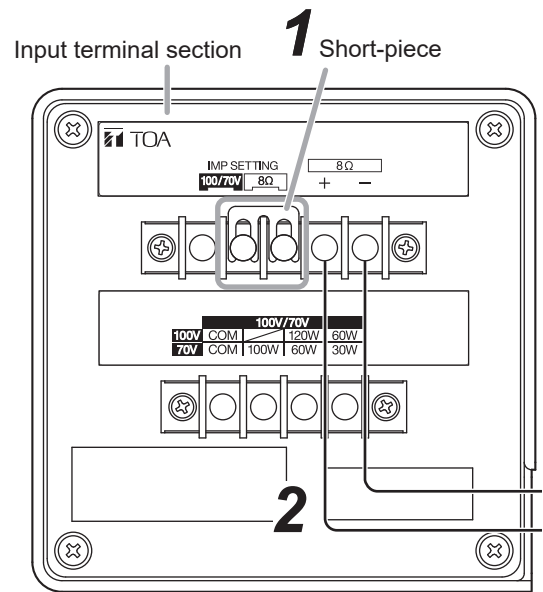
## 4.2. When using low impedance connection

**Step 1.** Insert the short piece to the position as shown in the figure.

**Step 2.** Connect the cable from the amplifier to the position as shown in the figure.

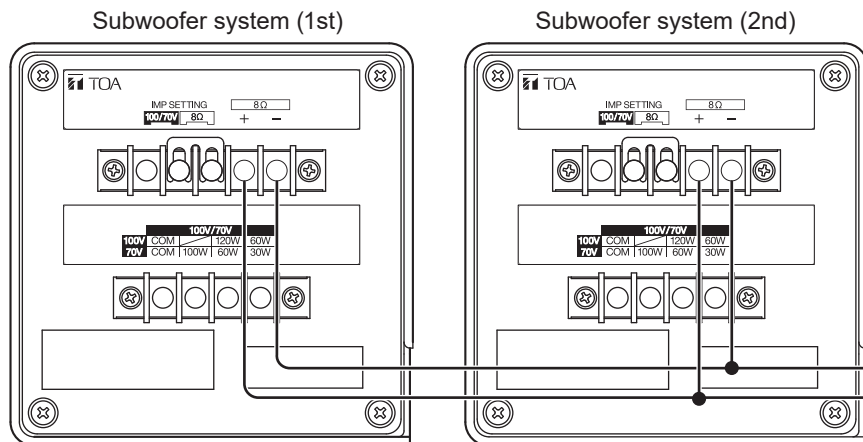
### Note

Depending on the relative installation position of this Subwoofer speaker to the speaker system (p. 3), the bass may be attenuated. In such cases, try to reverse the speaker connections between the positive and negative terminals and check the output sound from the speakers. Then, use the connection that produces the louder bass.



### [When using low impedance connection in parallel]

Two Subwoofer systems can be connected in parallel as shown in the figure.



### Note

When using 2 Subwoofer systems with low impedance in parallel, connect the speaker cable to the amplifier's speaker output terminal of impedance 4 Ω or less.

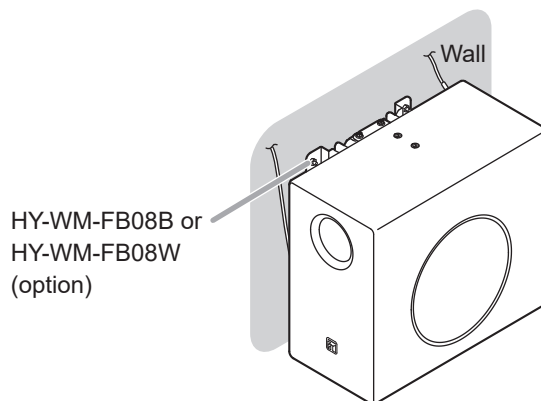
Connecting it to a speaker output terminal of over 4 Ω may cause amplifier failure.

## 5. INSTALLATION

You can install the Subwoofer system on the floor, or to the wall or the ceiling using the optional mounting bracket.

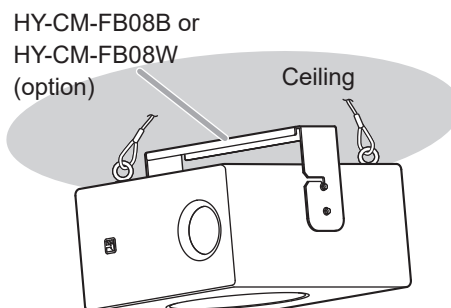
### [Wall installing]

Use the optional bracket HY-WM-FB08B or HY-WM-FB08W.  
For the installation method, refer to the installation manual supplied with the optional bracket.



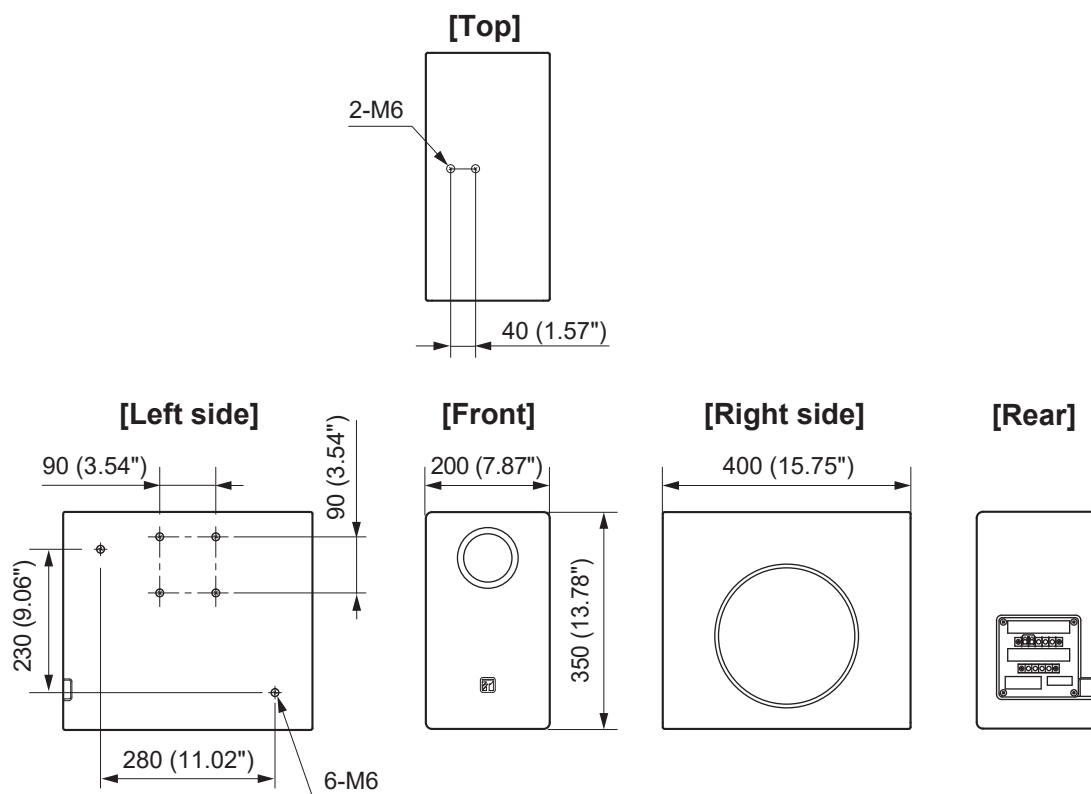
### [Ceiling installing]

Use the optional bracket HY-CM-FB08B or HY-CM-FB08W.  
For the installation method, refer to the installation manual supplied with the optional bracket.



## 6. DIMENSIONAL DIAGRAM

Unit : mm



## 7. SPECIFICATIONS

Model No.		FB-08BT	FB-08WT
Enclosure		Bass-reflex type	
Power Handling Capacity* <sup>1</sup>		Rated noise power: 120 W (8 Ω) Continuous program: 240 W (8 Ω)	
Rated Input		120 W (100 V line, 70 V line)	
Rated Impedance		8 Ω 100 V line: 83 Ω (120 W), 167 Ω (60 W) 70 V line: 50 Ω (100 W), 83 Ω (60 W), 167 Ω (30 W)	
Sensitivity		84 dB (1 W, 1 m) at installation in free sound field 90 dB (1 W, 1 m) at installation in 1/2 free sound field	
Frequency Response		45 – 300 Hz, –10 dB at installation in 1/2 free sound field	
Speaker Component		20 cm (8") cone-type	
Input Terminal		M4 Screw terminal, distance between barriers : 9 mm (0.35")	
Operating Temperature		–10 to +50 °C (14 to 122 °F)	
Installation Environment		Indoor installation	
Finish	Enclosure	MDF, black* <sup>2</sup> , paint	MDF, white* <sup>3</sup> , paint
	Grille	Surface treated steel plate, black* <sup>2</sup> , paint	Surface treated steel plate, white* <sup>3</sup> , paint
Dimensions		200 (w) x 350 (h) x 400 (d) mm (7.87" x 13.78" x 15.75")	
Weight		16 kg (3.53 lb)	

\*<sup>1</sup> Rated noise power is defined by IEC60268-5. Continuous program is 3 dB above Rated noise power.

\*<sup>2</sup> RAL 9011 equivalent

\*<sup>3</sup> RAL 9016 equivalent

**Note:** The design and specifications are subject to change without notice for improvement.

