

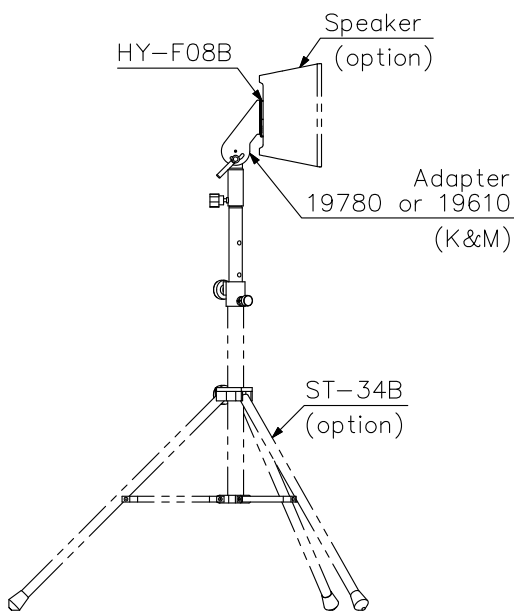
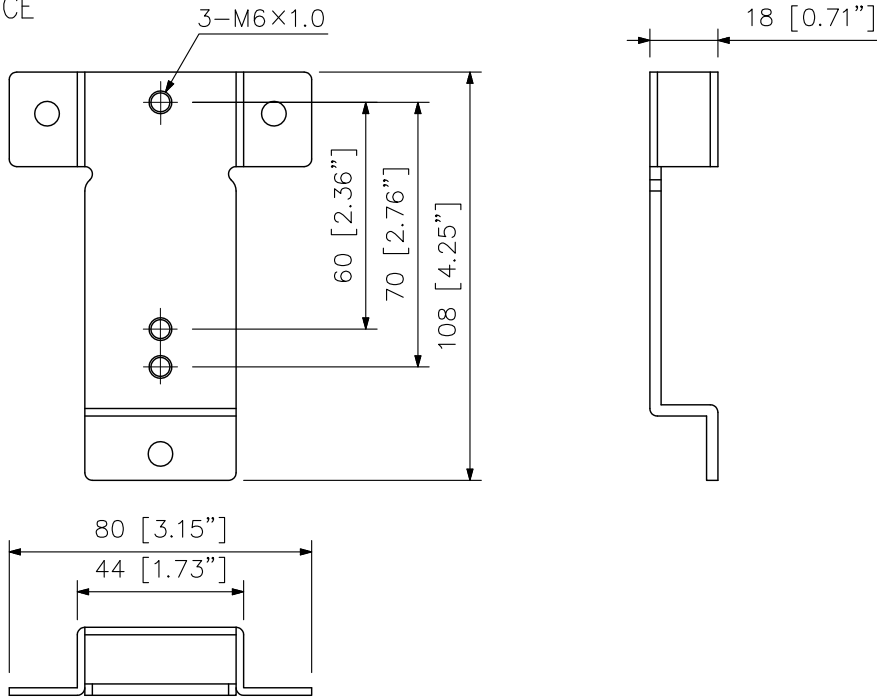
DESCRIPTION

The HY-F08B is a mounting bracket accessory designed for installation of F-08 series speaker systems using optional mounting hardware.

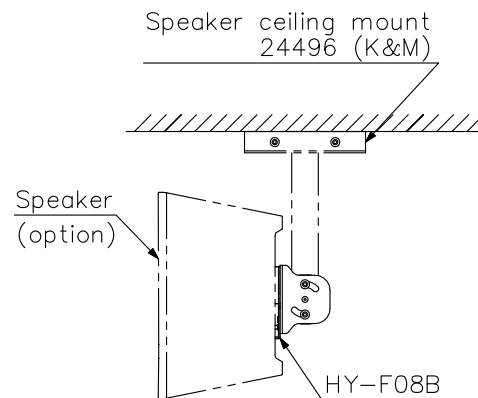
SPECIFICATIONS

| | |
|--------------------|--|
| Applicable Speaker | F-08BT |
| Finish | Steel plate, black (RAL 9011 equivalent), paint |
| Dimensions | 80 (W) × 108 (H) × 18 (D) mm (3.15" × 4.25" × 0.71") |
| Weight | 150 g (0.33 lb) |
| Accessory | Speaker mounting bolt ×1 set |

APPEARANCE



Stand mounting example



Ceiling mount example

UNIT:mm SCALE:1/2

Note: K&M's 24359 Adapter panel is required for horizontal installation.

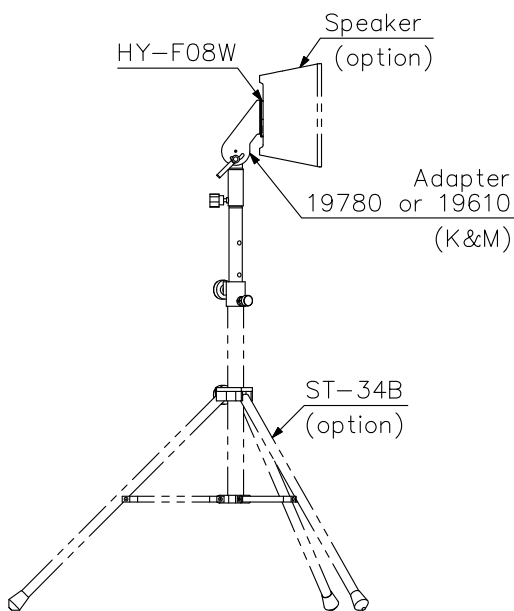
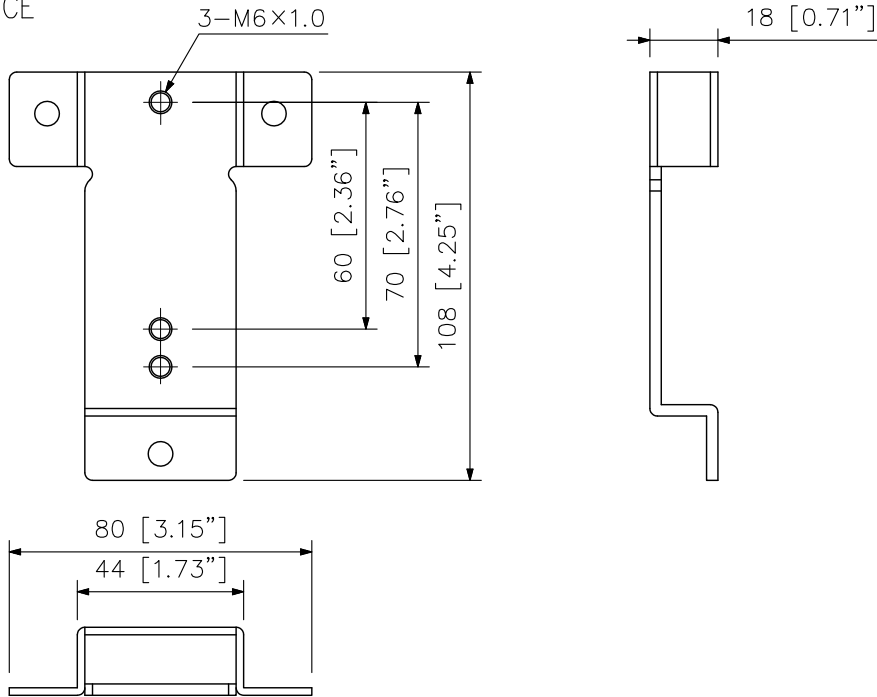
DESCRIPTION

The HY-F08W is a mounting bracket accessory designed for installation of F-08 series speaker systems using optional mounting hardware.

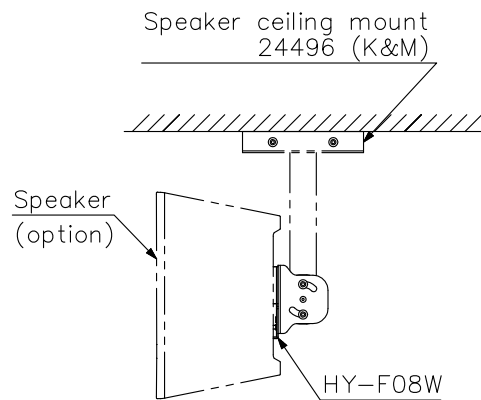
SPECIFICATIONS

| | |
|--------------------|--|
| Applicable Speaker | F-08WT |
| Finish | Steel plate, white (RAL 9016 equivalent), paint |
| Dimensions | 80 (W) × 108 (H) × 18 (D) mm (3.15" × 4.25" × 0.71") |
| Weight | 150 g (0.33 lb) |
| Accessory | Speaker mounting bolt ×1 set |

APPEARANCE



Stand mounting example



Ceiling mount example

UNIT:mm SCALE:1/2

Note: K&M's 24359 Adapter panel is required for horizontal installation.