

SUBWOOFER CEILING MOUNTING BRACKET

HY-CM-FB08B HY-CM-FB08W

Thank you for purchasing TOA's Subwoofer Ceiling Mounting Bracket.
Please carefully follow the instructions in this manual to ensure long, trouble-free use of your equipment.

TABLE OF CONTENTS

1. SAFETY PRECAUTIONS	1	4. SPECIFICATIONS	2
2. GENERAL DESCRIPTIONS	2	5. INSTALLATION	3
3. DIMENSIONAL DIAGRAM	2		

1. SAFETY PRECAUTIONS

- Before installation or use, be sure to carefully read all the instructions in this section for correct and safe operation.
- Be sure to follow all the precautionary instructions in this section, which contain important warnings and/or cautions regarding safety.
- After reading, keep this manual handy for future reference.

WARNING

Indicates a potentially hazardous situation which, if mishandled, could result in death or serious personal injury.

- Install the bracket only in a location that can structurally support the weight of the bracket and the speaker. Doing otherwise may result in the bracket and speaker falling down and causing personal injury and/or property damage.
- Do not use other methods than specified to mount the bracket. Extreme force is applied to the bracket and the speaker could fall off, possibly resulting in personal injuries.
- Use nuts and bolts that are appropriate for the ceiling's structure and composition. Failure to do so may cause the speaker to fall, resulting in material damage and possible personal injury.
- Tighten each nut and bolt securely. Ensure that the bracket has no loose joints after installation to prevent accidents that could result in personal injury.

- Use the specified speaker in combination. Doing otherwise may cause the bracket and speaker to fall off, resulting in personal injury.
- Do not mount the bracket in locations exposed to constant vibration. It can be damaged by excessive vibration, potentially causing the bracket and speaker to fall, which could result in personal injury.
- Do not install the speaker near the seashore or in locations where corrosive gas is generated, such as swimming pool facilities. If installed in such environments, its mounting bracket may rust or corrode. This could cause the speaker to fall, potentially resulting in personal injury.

CAUTION

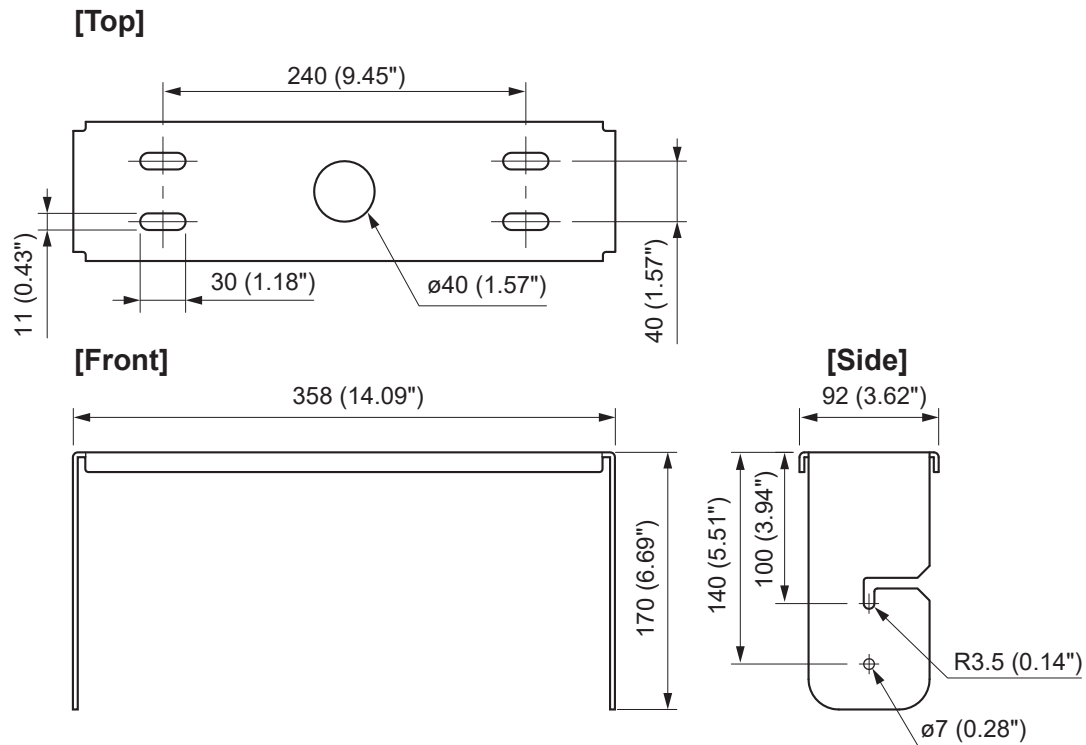
Indicates a potentially hazardous situation which, if mishandled, could result in moderate or minor personal injury, and/or property damage.

- Avoid touching the bracket's sharp metal edge to prevent injury.
- Have the bracket and speaker checked periodically by the shop from where they were purchased. Failure to do so may result in corrosion or damage to the bracket and speaker that could cause the bracket and speaker to fall, possibly causing personal injury.

2. GENERAL DESCRIPTIONS

TOA HY-CM-FB08B and HY-CM-FB08W are the mounting brackets designed for installing the optional Subwoofer system FB-08BT or FB-08WT (hereinafter called "speaker") to the ceiling.

3. DIMENSIONAL DIAGRAM



4. SPECIFICATIONS

Model No.	HY-CM-FB08B	HY-CM-FB08W
Applicable Speaker	FB-08BT	FB-08WT
Finish	Steel plate, black* ¹ , paint	Steel plate, white* ² , paint
Dimensions	358 (w) x 170 (h) x 92 (d) mm (14.09" x 6.69" x 3.62")	
Weight	1.5 kg (3.31 lb)	

*¹ RAL 9011 equivalent

*² RAL 9016 equivalent

Note: The design and specifications are subject to change without notice for improvement.

• Accessories

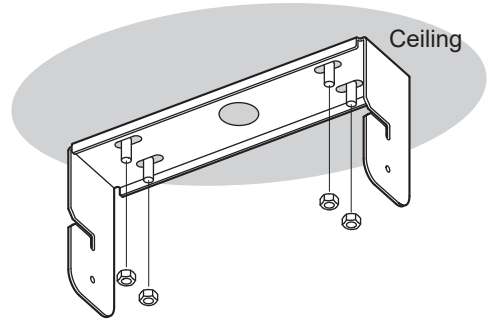
Hexagon bolt M6 x 25 with plain washer and spring washer 4

5. INSTALLATION

Step 1. Mount this bracket to the ceiling.

Notes

- Bolts and nuts used for mounting the bracket to the ceiling are not supplied.
- Use M10 bolts and nuts.
- Be sure to mount the bracket to the ceiling using 4 bolts as shown in the figure at right.



Step 2. Attach the safety wire to the speaker.

⚠ WARNING

- Install the safety wire to a ceiling side to the location that is strong enough to withstand the entire weight of the speaker including the mounting bracket.
- Use safety wire that is strong enough to suspend the full weight of the components to be installed.
- Keep the safety wire at the minimum length without slack.

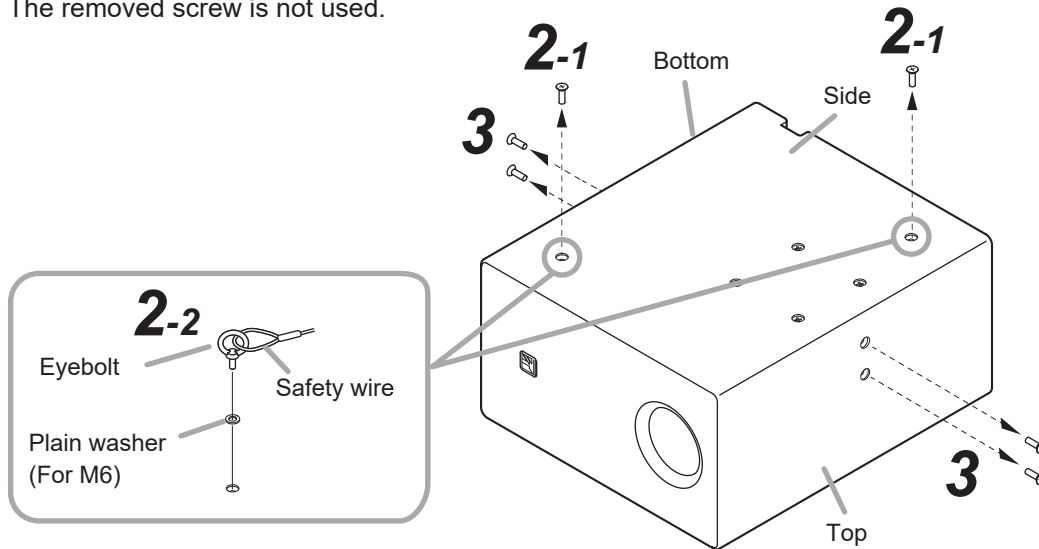
Note

The safety wire and its attachment hardware such as eyebolts, bolts and nuts are not supplied. Prepare them separately.

2-1. Remove 2 of the 6 screws attached previously to the speaker's side as shown below.

Tip

The removed screw is not used.



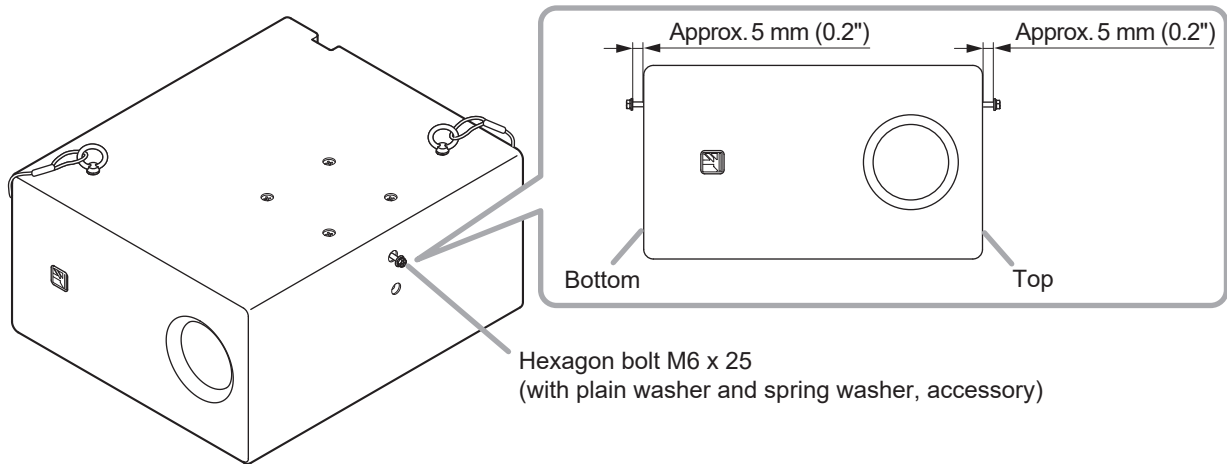
2-2. Install a plain washer and an eyebolt to the 2 screw holes, then attach the safety wire to the each eyebolt.

Step 3. Remove 2 screws on the speaker's top surface and 2 screws on the bottom surface (4 screws in total).

Tip

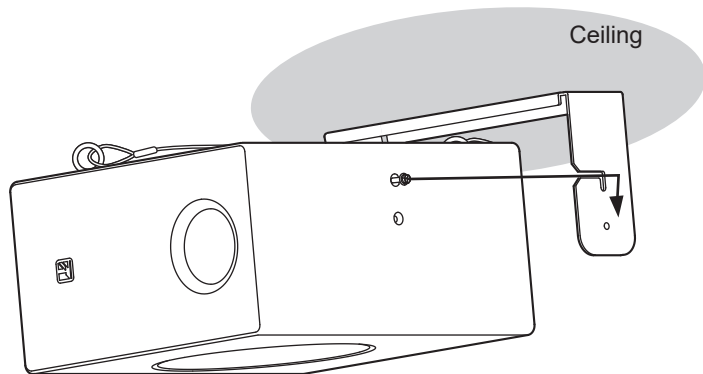
The removed screws are not used.

Step 4. Temporarily tighten the supplied screws into the holes in the speaker's top surface and bottom surface, leaving a gap of approximately 5 mm (0.2").



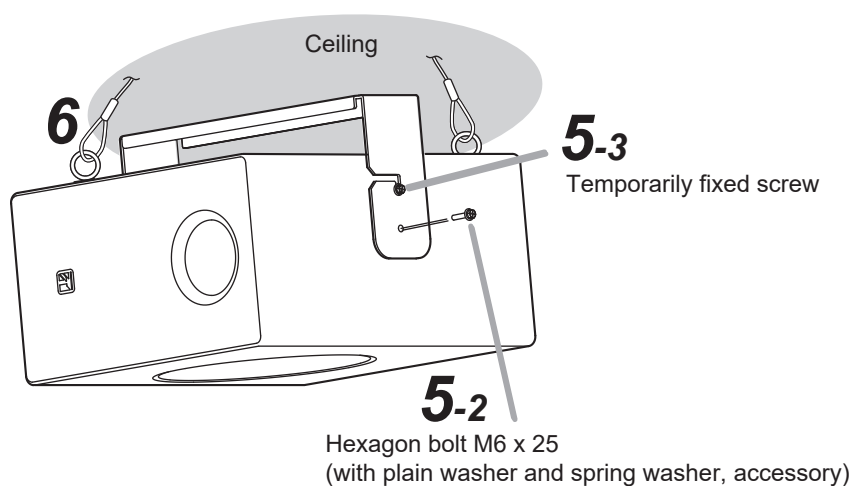
Step 5. Install the speaker to the mounting bracket.

5-1. Insert the temporarily tightened screws into the slots on both sides of this bracket.



5-2. Secure the supplied screws into the lower holes in the bracket.
Recommended tightening torque: 7 N·m

5-3. Firmly fasten the temporarily tightened screws.
Recommended tightening torque: 7 N·m



Step 6. Attach the safety wires to the ceiling.