

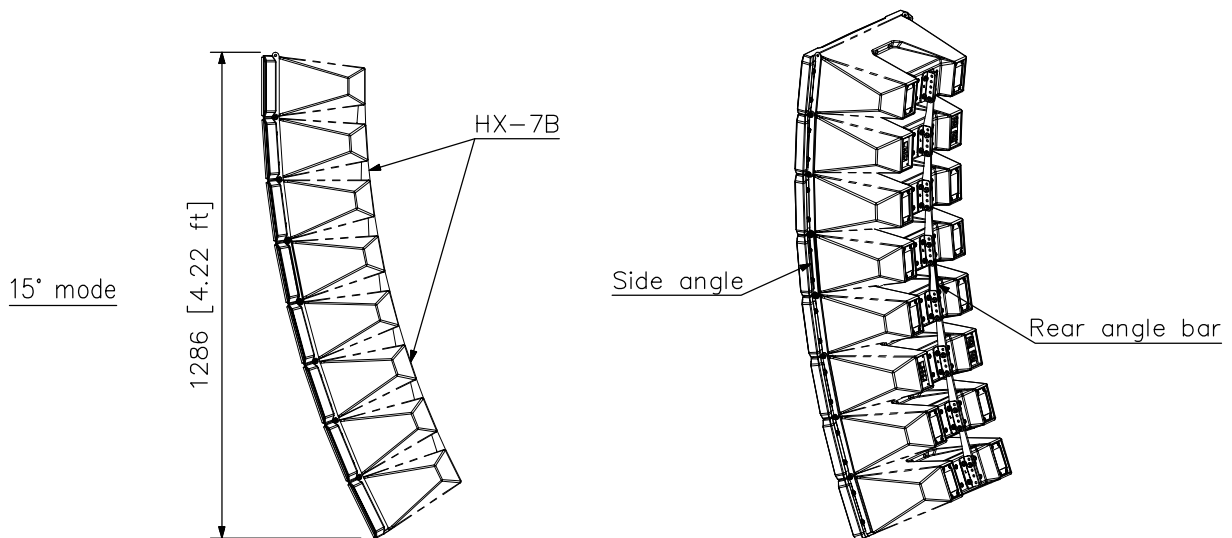
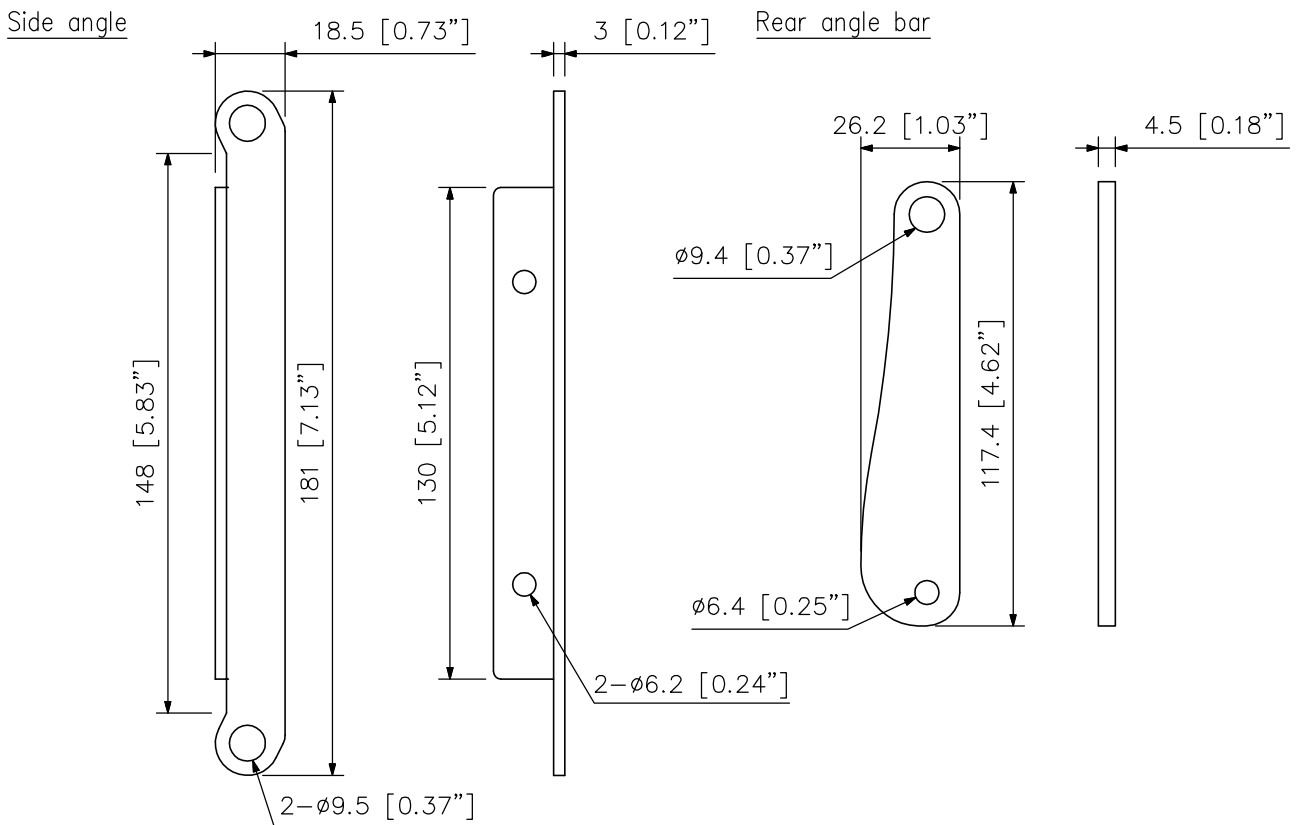
DESCRIPTION

The HY-CN7B is used to join 2 HX-7B speaker systems, typically for the purpose of achieving better speaker directivity control in lower frequencies. Such directivity control helps achieve clearer and longer-rangesound reproduction in locations where sound efficiency may be hampered by conditions like long reverberation time or a high level of background noise.

SPECIFICATIONS

| | |
|---------------------|---|
| Finish | Steel plate, black, semi-gloss, paint |
| Weight | 300 g (0.66 lb) |
| Accessory | Spacer (golden) ...2, Spacer (black) ...1, Rubber ring ...2, Flange nut...2, Rear angle bar mounting bolt ...2, Side angle mounting bolt ...2 |
| Product Composition | Side angle ...2, Rear angle bar ...1 |

APPEARANCE



Speaker mounting example

UNIT: mm SCALE: 1/2