

■DESCRIPTION

TOA's WA-Z110SD-AS is a portable amplifier that has an elegant design and durable. It offers reliable performance, clear, powerful sound and is simple to operate. Wheels are fitted for moving it around effortlessly.

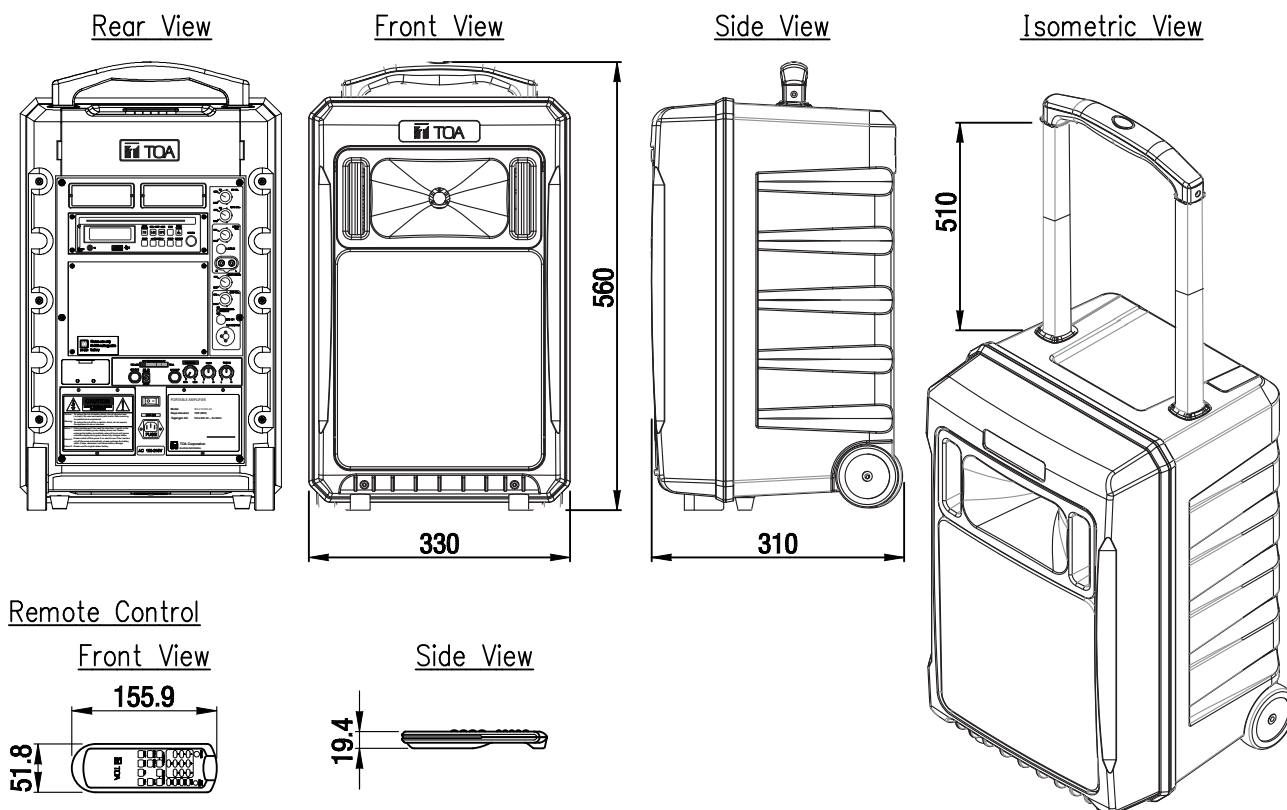
■SPECIFICATIONS

Speaker	6 ohm/1" tweeter, 4 ohm/10" woofer
Receiver Module	UHF PLL Non-diversity receiver module (up to 2 pcs of optional receivers) with 16 user selectable channels (UHF 655-681MHz)
Output power	70W(RMS)/100W (MAX) (Class-D Amplifier)
Frequency Response	70Hz~15KHz (± 3dB)
Function	CD Player; USB (support up to 32GB); SD/MMC Card (support up to 32GB); Mic Input x 2 (phone jack x 1, combination XLR & phone jack x 1); Line Input (RCA x 1 or phone jack x 1); Mixed out x 1 (Phone jack); External speaker out x 1 (Phone jack)
Charging time	12V/5Ah (2pcs) Lead Acid battery : 6-8 hours 1.2V/1.3Ah Nickel-Metal Hybride battery : 5 hours (for microphone)
Operating time	Averagely 3-9 hours (depending on volume)
Power supply	100-240V (90-264V) switching power supply
Rechargeable battery	12V/5Ah Lead Acid battery : 2 pcs 1.2V/1.3Ah Nickel-Metal Hybride battery : 4 pcs (for microphone)
Frame material	Panel : Plastic with painting Black, Grille : Metal with painting black
Dimensions	560 (H) x 330 (W) x 310 (D) mm
Weight	16.5 kg (without Microphone)
Accessories	Remote control x 1, AC power cord x 1 (Type C), Hex head wrench x 1
Options	WS-Z100H AS Set (WM-Z100H Handheld Mic & WTU-Z100 Wireless Receiver) WS-Z100L AS Set (WM-Z100H Lavalier Mic & WTU-Z100 Wireless Receiver) Speaker stand : ST-34B

Notes:

- o Specifications are measured on 220V AC.
- o the design and specifications are subject to change without notice for improvement.

■APPEARANCE



UNIT : mm SCALE : 1/7