

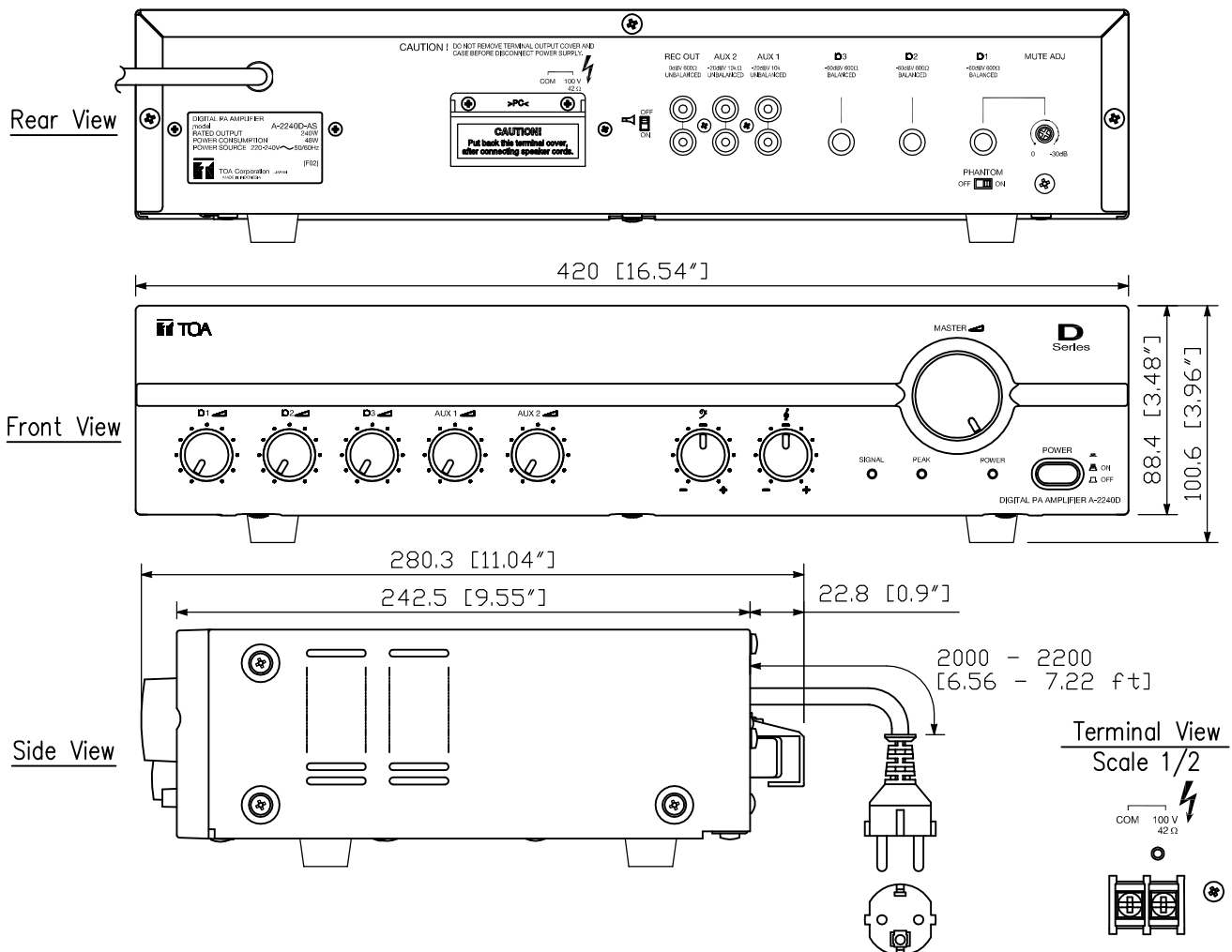
The A-2240D-AS is a high cost-performance mixer power amplifier suited for broadcasting paging or background music in schools, offices, shops, factories, mosques, churches and large rooms.

■ SPECIFICATION

* 0 dB = 1 V

Power Source	220 - 240 V ~ 50/60Hz
Rated Output	240 W
Power Consumption (EN60065)	48 W (AC operation at 1/8 maximum output without clip)
Frequency Response	50 - 20,000 Hz, ±3dB
Horn Filter Band	230 - 20,000 Hz, ±3dB
Distortion	Under 1% at 1 kHz, 1/3 rated power
Input	MIC 1 - 3: -60 dB*, 600 Ω, balanced, phone jack AUX 1,2: -20 dB*, 10 kΩ, unbalanced, RCA pin jack
Output	Speaker out: Balanced (floating) High impedance: 42 Ω (100 V) Rec out: 0 dB*, 600 Ω, unbalanced, RCA pin jack
Phantom Power	DC +21 V (MIC 1)
S/N Ratio	Over 60 dB
Tone Control	Bass: ±10 dB at 100 Hz Treble: ±10 dB at 10 kHz
Muting	MIC 1: Mutes other input signals by 0 - 30 dB attenuation
Indicator	Power, peak, signal
Finish	Panel: ABS resin, black Case: Steel plate, black
Dimensions	420 (W) X 100.6 (H) X 280.3 (D) mm (16.54" X 3.96" X 11.04")
Weight	4.0 kg (8.88 lb)

■ APPEARANCE



UNIT : mm SCALE : 1/3