

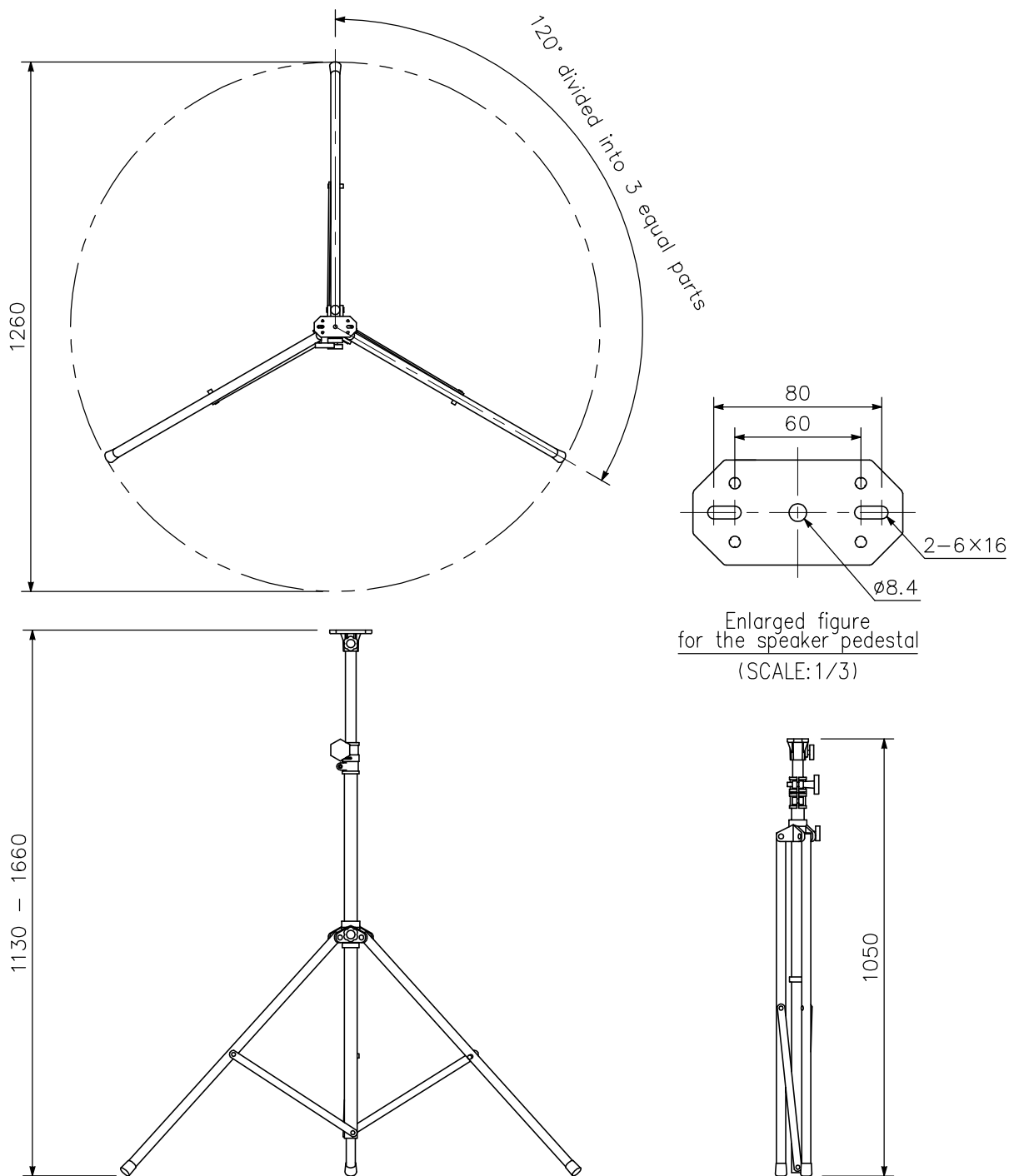
DESCRIPTION

The ST-16A is a lightweight, smart speaker stand made of aluminum.

SPECIFICATIONS

| | |
|-----------------------------|---|
| Effective Extensible Length | 1130 - 1660 mm |
| Load Capacity | 7 kg (static load) |
| Finish | Stand: Aluminum, silver, mat finish Speaker mounting bracket: Polyamide resin, black |
| Weight | 1.7 kg (bracket included) |
| Accessory | Speaker mounting screw (M5 × 20) ×2, Hexagon headed bolt (M8 × 20) ×1, Washer ×1, Spacer ×1, Butterfly nut ×1 |

APPEARANCE



UNIT:mm SCALE:1/15

When folded